

PT4196 Alternate Fill Melt Pressure Sensors (Oil)

IDEAL FOR FOOD OR MEDICAL APPLICATIONS



Description

The PT4196 Series transmitter is a $\pm 0.5\%$ sensor ideal for food or medical applications requiring simple installation, repeatability and reliability. The food grade oil fill material meets the requirements set forth by both the USDA and the FDA. The PT4196 transmitters provide the industry standard 0 - 10 Vdc amplified signal designed to work with DCS and PLCs. Optional thermocouple or RTD configurations are available to provide melt temperature. The PT4196 features a 1/2-20 UNF thread for simple and easy installation in standard transducer mounting holes.

Features

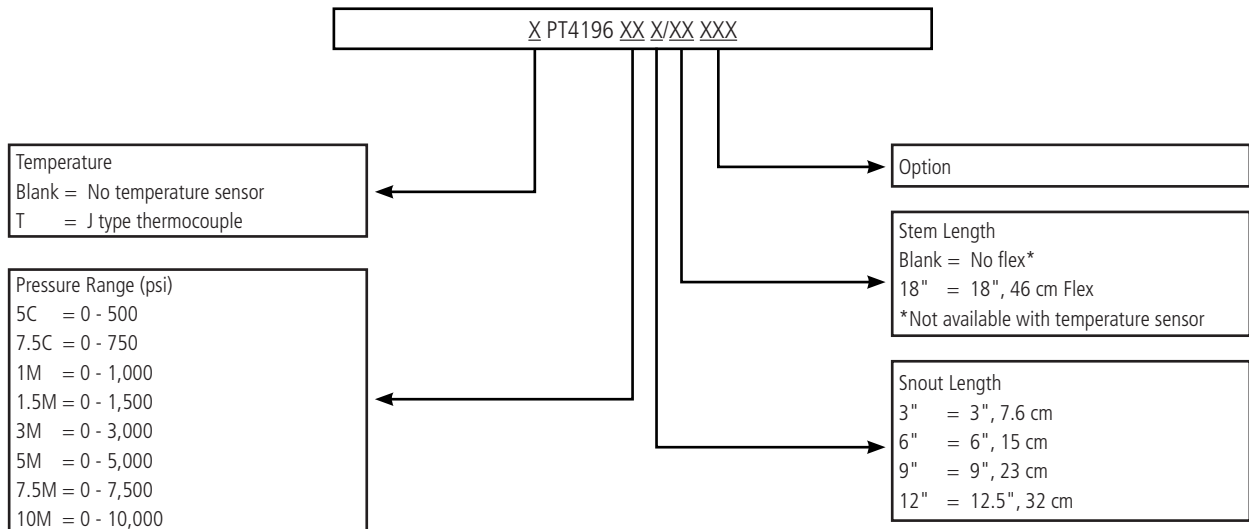
- Adjustable zero and span
- Oil fill meets FDA and USDA requirements
- Accuracy better than $\pm 0.5\%$
- DyMax® coated convoluted SST wetted parts
- 0 - 10 Vdc output
- Internal 80% shunt calibration

Performance Characteristics	
Output:	0 - 10 Vdc
Input Voltage:	16 - 36 Vdc
Accuracy:	±0.5% FSO
Repeatability:	±0.2%FSO
Configuration:	Four-arm bonded foil Wheatstone bridge strain gage
Load Resistance:	2,000 Ohms minimum
Over Pressure:	2 X FSO
Zero Balance Adjustment Range:	±15%
Span Balance Adjustment Range:	±15%
Internal Shunt Calibration (R-Cal):	80% FSO ±0.5%

Temperature & Mechanical Characteristics	
Max Diaphragm Temperature:	617°F (315°C)
Recommended Max Diaphragm Temperature for Extended Product Life:	527°F (275°C)
Zero Shift (due to temperature change):	36 psi/100°F Typical (65 psi/100°C)
Electronics Operating Temperature:	-20°F to 185°F (-25°C to 85°C)
Zero Shift (due to temperature change):	±0.05% FS/°F max (±0.10% FS/°C max)
Span Shift (due to temperature change):	±0.02% FS/°F max (±0.04% FS/°C max)
Mounting Torque:	500 inch/lbs. maximum
Standard Wetted Parts:	Dymax® coated 15-5 PH SST

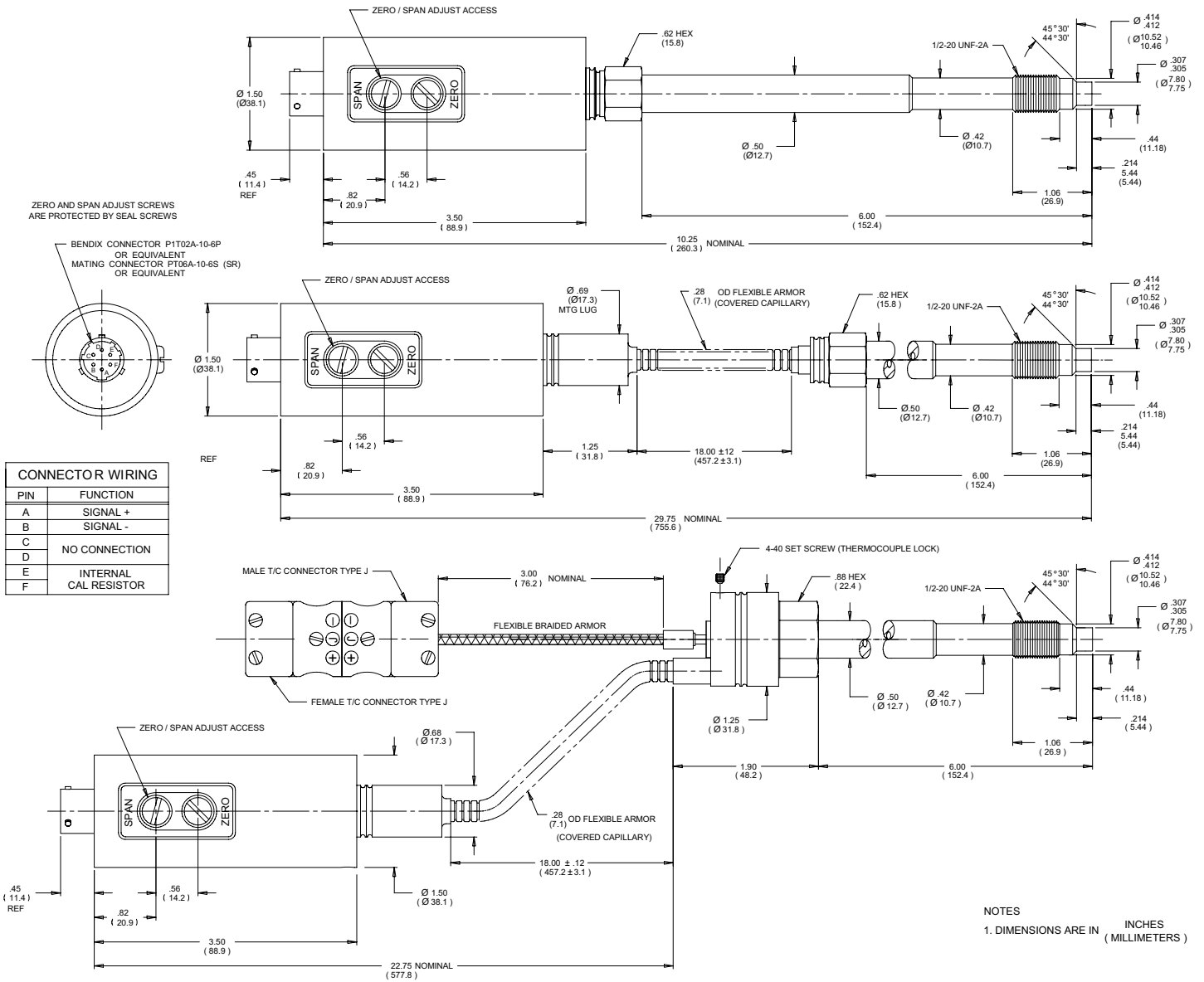
Fill material meets FDA requirements 21 CFR 178.3620, 21 CFR 172.878, and 21 CFR 573.680

Ordering Guide for PT4196 Series



Standard mating connector Dynisco P/N 711600 or 6-pin mating connector cable assembly. Accuracy may be affected if non-standard configurations are used. For additional options please consult factory.

Dimensions



All dimensions are inches (mm) unless otherwise specified.
 ©2016. Dynisco reserves the right to make changes without notice.
 Refer to www.dynisco.com for access to Operator Manual and other support documentation.
 DSPT4196
 Rev: 0117



www.dynisco.com

Dynisco
 38 Forge Parkway
 Franklin, MA 02038
 USA
 Hotline 1-800-Dynisco
 www.dynisco.com
 Phone +1 508 541 9400
 Fax +1 508 541 6206
 Email infoinst@dynisco.com

Dynisco Europe, GmbH
 Pfaffenstr. 21
 74078 Hellbronn
 Germany
 Phone +49 7131 297 0
 Fax +49 7131 297 166
 Email dyniscoeurope@dynisco.com

Dynisco Shanghai
 Building 7A, No. 568
 Longpan Rd Malu
 Jiading, 201801 China
 Phone +86 21 34074072-819
 Toll Free +86 400 728 9117
 Fax +86 21 34074025